

1996 TERRAMITE T5C, AKA 'BUSTER'

GREG SNYDER

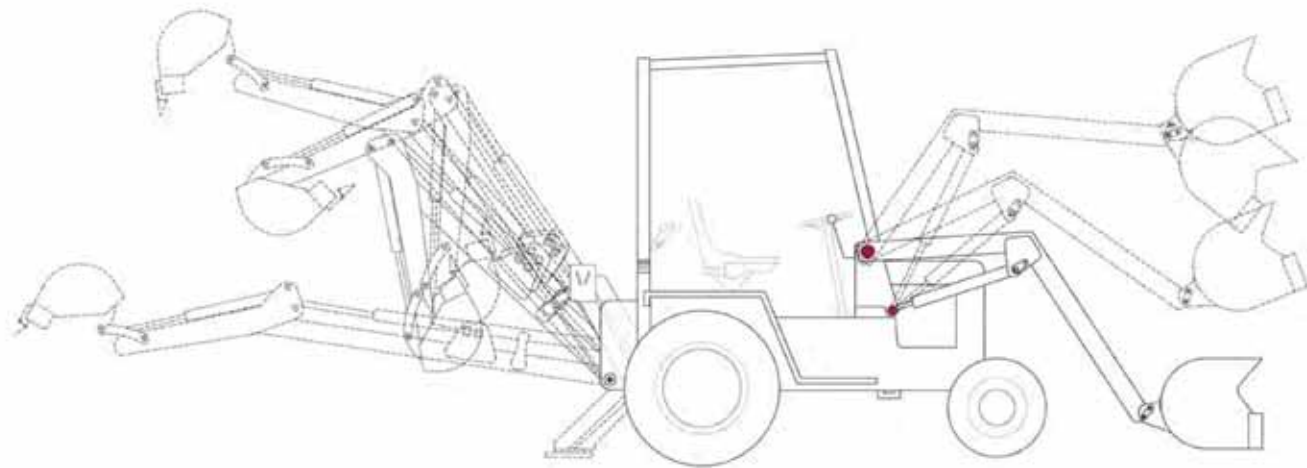


Buster demos the old house

Casey Evelo

In the first lecture on soil and foundations I issue an invitation to students to consider the virtues of heavy equipment ownership. I offer a backstory of the experiences with my own small backhoe/loader as testimonial to the assortment of deeper understandings of being in the world facilitated through the possession and use of this tool. In the fifteen years that I have had Buster it has been used to clear land, remove trees, dig trenches, move large quantities of sand and gravel, tow trailers and tend burn piles.

If Levi-Strauss's *bricoleur* were to assemble a piece of heavy equipment this might be it: off-the-shelf hydraulic components and third-party interchangeable gas and diesel engines, and manufactured in West Virginia. It is functional and matter-of-fact, with opportunities for the amateur mechanic to savour repairs and maintenance, and the amateur aesthete to savour its reductive beauty and place among backhoe physiognomies.

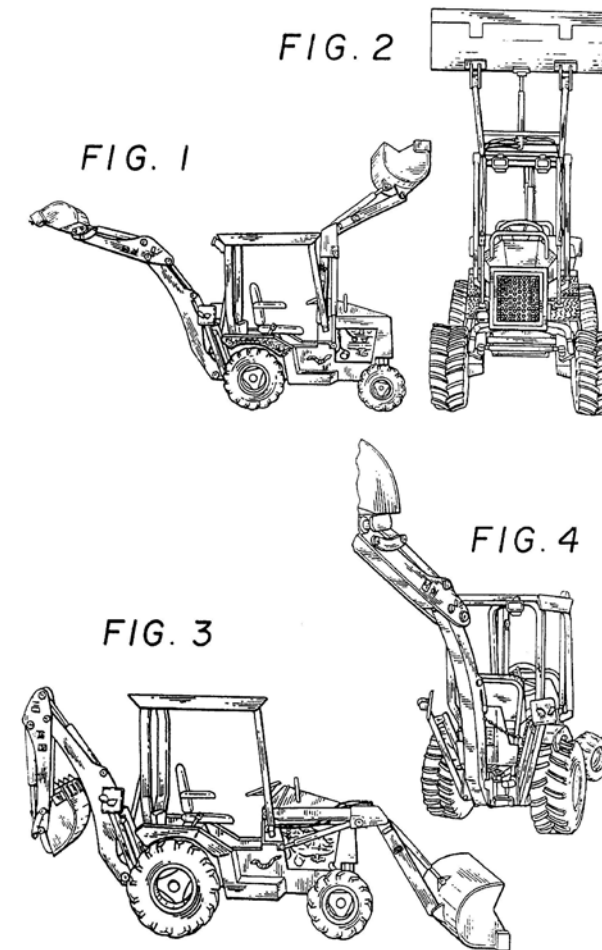


Scale: 1"=3/4"

Anastasia Krasnoslobodtseva

Buster's kinetics

U.S. Patent Feb. 23, 1999 Sheet 1 of 4 Des. 406,151



The Terramite Corporation Compact Loader Backhoe
Patent patent application drawings



Terramite T5c logo

The Terramite Corporation



Buster digs a water line trench

Greg Snyder